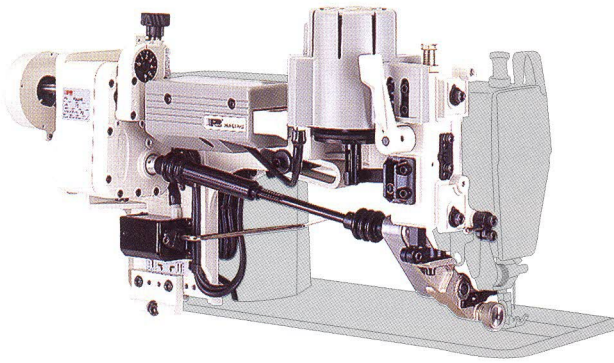
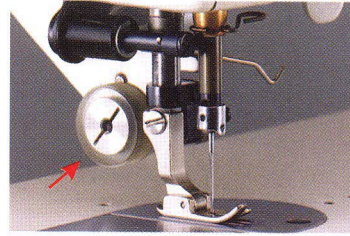


**PS** FOR SINGLE OR TWIN NEEDLE(REGULAR) SMALL ROLLER

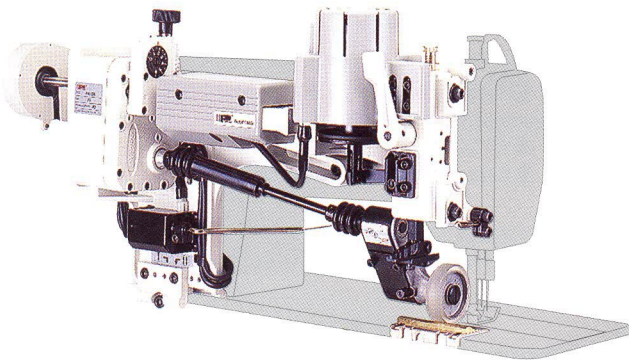


DISENGAGE ROLLER IF NOT NEEDED

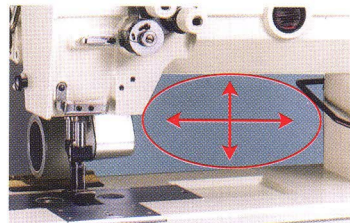


EXTREMELY CLOSE PULLING, FACILITATES CURVE AND SHORT SEWING ON THIN MATERIALS.

**PL** FOR SINGLE OR TWIN NEEDLE(REGULAR)

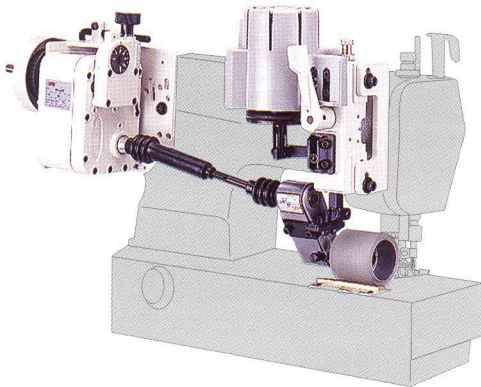


WITH LARGE SPACE FOR OPERATION

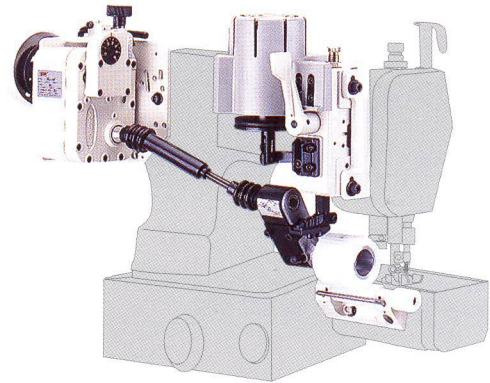


WITH VARIOUS OPTIONAL ROLLERS FOR DIFFERENT KINDS OF MATERIALS.

**PL-S1** FOR FLAT BED COVERSTITCH



**PL-S2** FOR CYLINDER BED COVERSTITCH



**PT** FOR SINGLE OR TWIN NEEDLE WITH UPPER AND LOWER ROLLERS(REGULAR)

**PT-H** FOR SINGLE OR TWIN NEEDLE WITH UPPER AND LOWER ROLLERS (HEAVY DUTY) (TRANSMISSION P-1)

**PT-L** FOR LONG ARM, AVAILABLE FOR CUSTOM-MADE

